

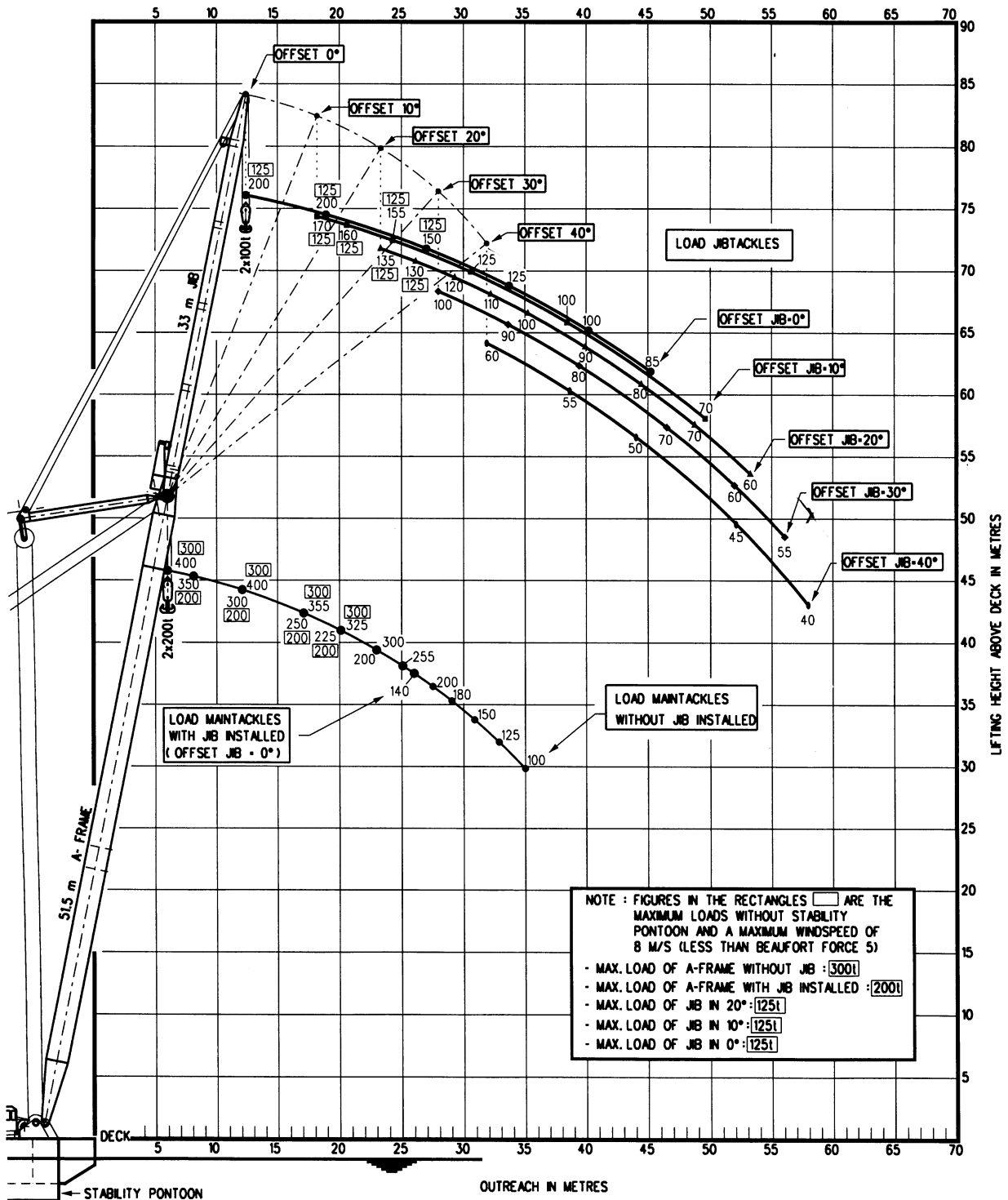
TROSVIKGUBBEN AS

TAKLIFT – 400 tonn FLOATING CRANE



NOTES :

- BOTH MAIN TACKLES AND JIB TACKLES CAN OPERATE TOGETHER, LOAD CAPACITY ON REQUEST.
- JIB OFFSET 15° NOT ISSUED, LOAD CAPACITY ON REQUEST.
- LOADS IN METRIC TON [()].



CAPACITY DIAGRAM TAKLIFT

DATE : JANUARY 1999

TAKLIFT

SEAGOING FLOATING SHEERLEG 400 TONNES LIFT CAPACITY

General

Call Sign CK 7608
Classification BV I 3/3 (-)
Port of Registry Brevik

Dimensions

Length 50.02 m
Beam 20.62 m
Beam 28.75 m
(with support pontoon)
Depth 3.60 m
Draught min. 1.60 m
Draught max. 3.00 m
Sailing height 89.00 m
(main legs and 33 m jib)
Sailing height 21.00 m
(sea passage)
Gross tonnage 994 R.T.
Net tonnage 298 R.T.

Accommodation

9 persons

Propulsion

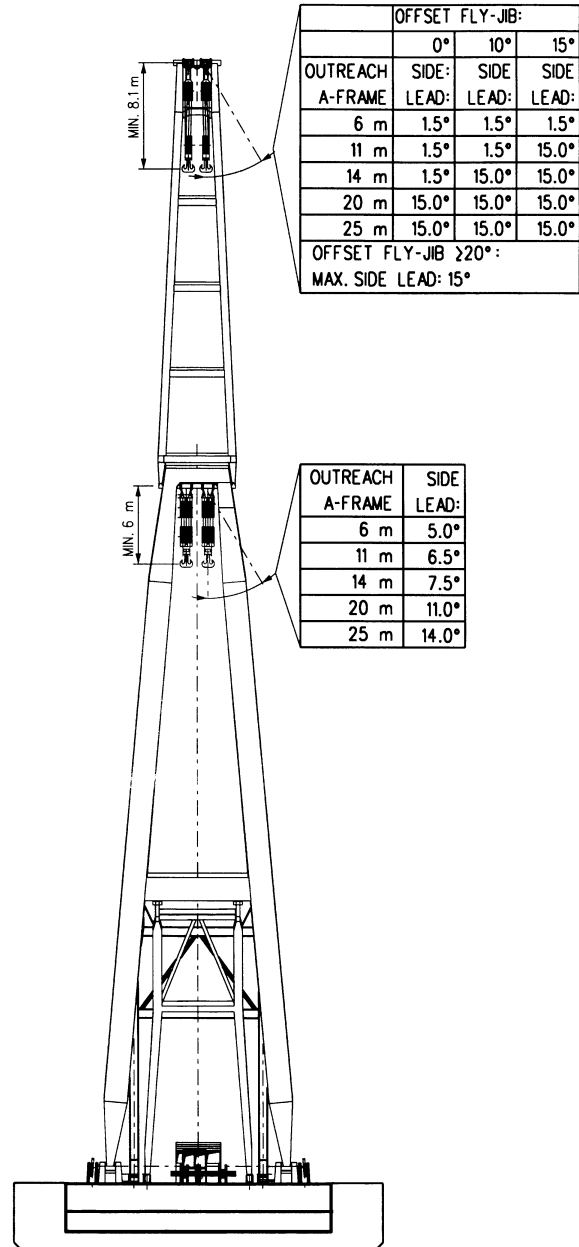
2 x 245 kW Schottel rudder propeller

Anchor winches

Aft 2 x 3.0 T. Cap. 400 m
of 32 mm diam. steel wire
Fore 1 x 2.0 T. Cap. 150 m
of 38 mm diam. chain

Mooring winches

Aft 2 x 11 T. Cap. 220 m
22 mm diam. steel wire
Fore 4 x 11 T. Cap. 350 m
26 mm diam. steel wire
Midships 2 x 5 T. Cap. 110 m
20 mm diam. steel wire



Company address

Trosvikgubben AS

Bedriftsveien 10
Postboks 2683
3702 SKIEN
Phone office: +47 35 50 59 50
Fax office: +47 35 50 59 60
Phone on board: +47 91 13 13 77
Fax on board: +47 97 48 13 77